

# KuBlack

## HIGH EFFICIENCY MONO PERC MODULE

CS3K-300 | 305 | 310 | 315MS (IEC1000V)

CS3K-300 | 305 | 310 | 315MS (IEC1500V)

### MORE POWER



Low power loss in cell connection



Low temperature coefficient (Pmax): -0.36 % / °C



Better shading tolerance



linear power output warranty\*



enhanced product warranty on materials and workmanship\*

\*According to the applicable Canadian Solar Limited Warranty Statement.

### MORE RELIABLE



Minimizes micro-crack impacts



Lower hot spot temperature



Heavy snow load up to 5400 Pa,  
wind load up to 3600 Pa\*

### MANAGEMENT SYSTEM CERTIFICATES

ISO 9001:2015 / Quality management system  
ISO 14001:2015 / Standards for environmental management system  
OHSAS 18001:2007 / International standards for occupational health & safety

### PRODUCT CERTIFICATES\*

IEC 61215 / IEC 61730: VDE / CE / MCS  
UL 1703 / IEC 61215 performance: CEC listed (US) / FSEC (US Florida)  
UL 1703: CSA / IEC 61701 ED2: VDE / IEC 62716: VDE  
Take-e-way

Canadian Solar recycles panels at the end of life cycle.



\* As there are different certification requirements in different markets, please contact your local Canadian Solar sales representative for the specific certificates applicable to the products in the region in which the products are to be used.

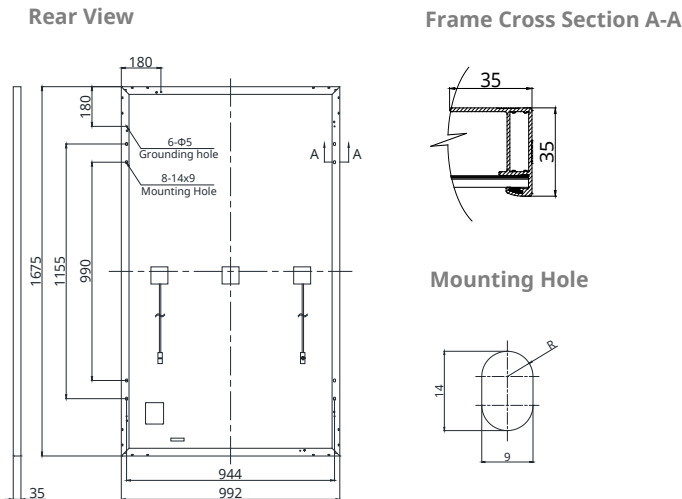
**CANADIAN SOLAR INC.** is committed to providing high quality solar products, solar system solutions and services to customers around the world. No. 1 module supplier for quality and performance/price ratio in IHS Module Customer Insight Survey. As a leading PV project developer and manufacturer of solar modules with over 40 GW deployed around the world since 2001.

\* For detailed information, please refer to the Installation Manual.

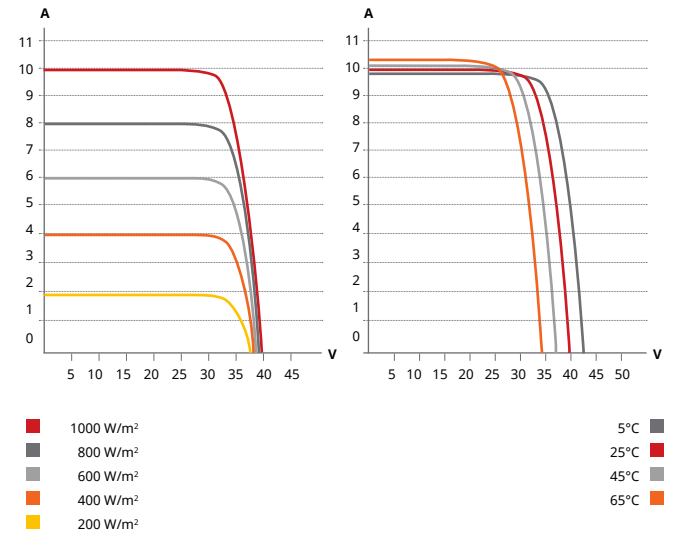
### CANADIAN SOLAR INC.

Canadian Solar MSS (Australia) Pty Ltd., 44 Stephenson St, Cremorne VIC 3121, Australia  
sales.au@canadiansolar.com, www.canadiansolar.com/au

## ENGINEERING DRAWING (mm)



## KuBlack CS3K-310MS / I-V CURVES



### ELECTRICAL DATA | STC\*

| KuBlack CS3K                 | 300MS                                   | 305MS  | 310MS  | 315MS   |
|------------------------------|---|--------|--------|---------|
| Nominal Max. Power (Pmax)    | 300 W                                   | 305 W  | 310 W  | 315 W   |
| Opt. Operating Voltage (Vmp) | 32.5 V                                  | 32.7 V | 32.9 V | 33.1 V  |
| Opt. Operating Current (Imp) | 9.24 A                                  | 9.33 A | 9.43 A | 9.52 A  |
| Open Circuit Voltage (Voc)   | 39.3 V                                  | 39.5 V | 39.7 V | 39.9 V  |
| Short Circuit Current (Isc)  | 9.82 A                                  | 9.90 A | 9.98 A | 10.06 A |
| Module Efficiency            | 18.1%                                   | 18.4%  | 18.7%  | 19.0%   |
| Operating Temperature        | -40°C ~ +85°C                           |        |        |         |
| Max. System Voltage          | 1500V (IEC/UL) or 1000V (IEC/UL)        |        |        |         |
| Module Fire Performance      | TYPE 1 (UL 1703) or CLASS C (IEC 61730) |        |        |         |
| Max. Series Fuse Rating      | 30 A                                    |        |        |         |
| Application Classification   | Class A                                 |        |        |         |
| Power Tolerance              | 0 ~ + 5 W                               |        |        |         |

\* Under Standard Test Conditions (STC) of irradiance of 1000 W/m², spectrum AM 1.5 and cell temperature of 25°C.

### ELECTRICAL DATA | NMOT\*

| KuBlack CS3K                 | 300MS  | 305MS  | 310MS  | 315MS  |
|------------------------------|--------|--------|--------|--------|
| Nominal Max. Power (Pmax)    | 223 W  | 226 W  | 230 W  | 234 W  |
| Opt. Operating Voltage (Vmp) | 30.1 V | 30.3 V | 30.5 V | 30.7 V |
| Opt. Operating Current (Imp) | 7.39 A | 7.46 A | 7.54 A | 7.61 A |
| Open Circuit Voltage (Voc)   | 36.7 V | 36.9 V | 37.1 V | 37.3 V |
| Short Circuit Current (Isc)  | 7.93 A | 7.99 A | 8.06 A | 8.12 A |

\* Under Nominal Module Operating Temperature (NMOT), irradiance of 800 W/m², spectrum AM 1.5, ambient temperature 20°C, wind speed 1 m/s.

\* The specifications and key features contained in this datasheet may deviate slightly from our actual products due to the on-going innovation and product enhancement. Canadian Solar Inc. reserves the right to make necessary adjustments to the information described herein at any time without further notice. Please be kindly advised that PV modules should be handled and installed by qualified people who have professional skills and please carefully read the safety and installation instructions before using our PV modules.

### CANADIAN SOLAR INC.

Canadian Solar MSS (Australia) Pty Ltd., 44 Stephenson St, Cremorne VIC 3121, Australia  
sales.au@canadiansolar.com, www.canadiansolar.com/au

### MECHANICAL DATA

| Specification                      | Data  |
|------------------------------------|---|
| Cell Type                          | Mono-crystalline  |
| Cell Arrangement                   | 120 [2 X (10 X 6) ]   |
| Dimensions                         | 1675 X 992 X 35 mm<br>(65.9 X 39.1 X 1.38 in)   |
| Weight                             | 18.5 kg (40.8 lbs)  |
| Front Cover                        | 3.2 mm tempered glass   |
| Frame                              | Anodized aluminium alloy  |
| J-Box                              | IP68, 3 diodes  |
| Cable                              | 4.0 mm² (IEC), 12 AWG (UL),   |
| Cable Length (Including Connector) | Portrait: 400 mm (15.7 in) (+) / 280 mm (11.0 in) (-); landscape: 1160 mm (45.7 in)*  |
| Connector                          | T4-PC-1 (IEC 1000 V) or PV-KST4/xy-UR, PV-KBT4/xy-UR (IEC 1000 V) or T4-PC-1 (IEC 1500 V) or T4-PPE-1 (IEC 1500 V) or PV-KST4-EVO2/XY, PV-KBT4-EVO2/XY (IEC 1500 V) or UTXCFA4AM, UTXC-MA4AM (IEC 1500 V) |
| Per Pallet                         | 30 pieces   |
| Per Container (40' HQ)             | 840 pieces  |

\* For detailed information, please contact your local Canadian Solar sales and technical representatives.

### TEMPERATURE CHARACTERISTICS

| Specification                        | Data         |
|--------------------------------------|--------------|
| Temperature Coefficient (Pmax)       | -0.36 % / °C |
| Temperature Coefficient (Voc)        | -0.29 % / °C |
| Temperature Coefficient (Isc)        | 0.05 % / °C  |
| Nominal Module Operating Temperature | 43 ± 3°C     |

### PARTNER SECTION

